

Extension module - RAD-IN+OUT-2D-1A-I - 2867322


Please be informed that the data shown in this PDF Document is generated from our Online Catalog. Please find the complete data in the user's documentation. Our General Terms of Use for Downloads are valid (<http://phoenixcontact.com/download>)



Analog /digital module for 2 digital inputs/outputs and 1 analog input/output



Key Commercial Data

Packing unit	1 pc
GTIN	 4 017918 960636
GTIN	4017918960636
Weight per Piece (excluding packing)	189.300 g
Custom tariff number	85177000
Country of origin	Canada

Technical data

Dimensions

Width	22.5 mm
Height	99 mm
Depth	114.5 mm

Ambient conditions

Ambient temperature (operation)	-20 °C ... 65 °C
Ambient temperature (storage/transport)	-40 °C ... 85 °C

Analog input

Description of the input	Current input
Current input signal	4 mA ... 20 mA
Input resistance current input	< 170 Ω

Extension module - RAD-IN+OUT-2D-1A-I - 2867322

Technical data

Analog output

Output name	Current output
Load/output load current output	700 Ω (at $U_B = 24\text{ V}$, $R_B = [U_B - 10\text{ V}] / 20\text{ mA}$)

Digital input

Input voltage range	5 V AC/DC ... 30 V AC/DC
Switching threshold "0" signal, voltage	max. 1.5 V DC
Switching threshold "1" signal voltage	min. 5 V DC

Digital output

Output name	Relay output
Number of outputs	2
Maximum switching voltage	30 V AC/DC (EC Declaration of Conformity)
	30 V DC (With UL approval)
	250 V AC (With UL approval)
Limiting continuous current	0.5 A (EC Declaration of Conformity)

General

Mounting position	any
Assembly instructions	on standard DIN rail NS 35 in accordance with EN 60715
Housing material	Polyamide PA non-reinforced

Connection data

Conductor cross section solid min.	0.2 mm ²
Conductor cross section solid max.	4 mm ²
Conductor cross section flexible min.	0.2 mm ²
Conductor cross section flexible max.	2.5 mm ²
Conductor cross section AWG min.	24
Conductor cross section AWG max.	14
Connection method	Screw connection
Stripping length	8 mm
Screw thread	M3

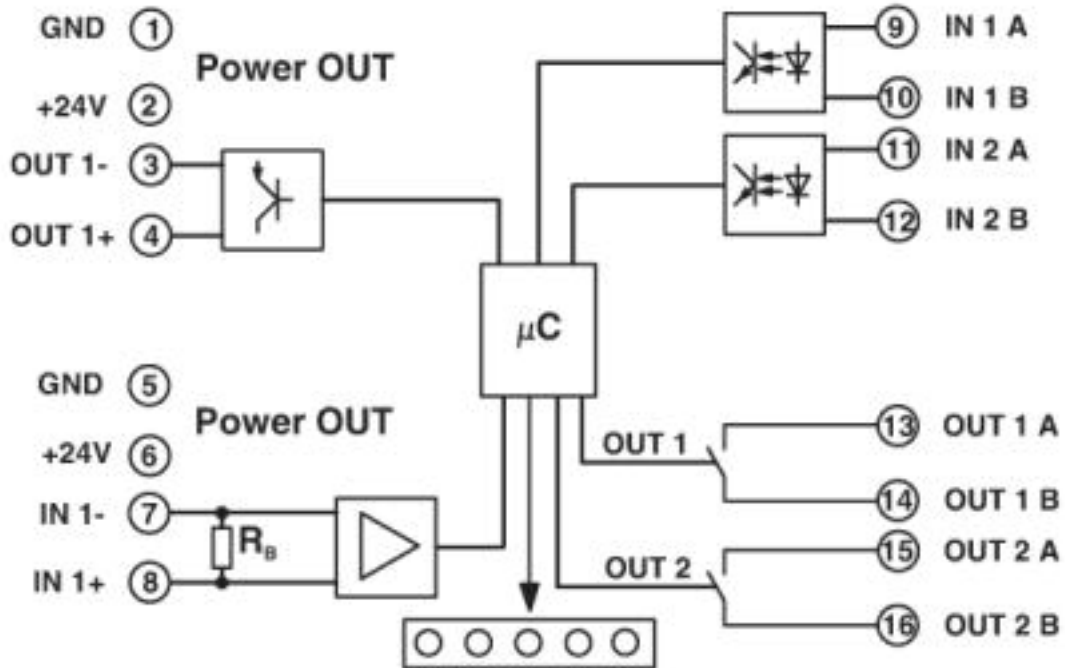
Environmental Product Compliance

China RoHS	Environmentally friendly use period: unlimited = EFUP-e
	No hazardous substances above threshold values

Drawings

Extension module - RAD-IN+OUT-2D-1A-I - 2867322

Block diagram



Classifications

eCl@ss

eCl@ss 4.0	27250300
eCl@ss 4.1	27250300
eCl@ss 5.0	27250600
eCl@ss 5.1	27242200
eCl@ss 6.0	27242600
eCl@ss 7.0	27242602
eCl@ss 8.0	27242602
eCl@ss 9.0	27242602

ETIM

ETIM 2.0	EC000310
ETIM 3.0	EC000310
ETIM 4.0	EC000310
ETIM 5.0	EC001597
ETIM 6.0	EC001597
ETIM 7.0	EC001597

Extension module - RAD-IN+OUT-2D-1A-I - 2867322

Classifications

UNSPSC

UNSPSC 6.01	30211506
UNSPSC 7.0901	43223108
UNSPSC 11	39121008
UNSPSC 12.01	43223108
UNSPSC 13.2	43223108